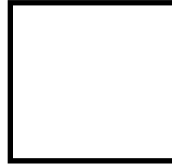




QUAKER
COMMERCIAL WINDOWS AND DOORS



E600 Series
AW-PG50/AW-PG80
3 1/4" Frame Depth
Picture Window (Fixed)

E600 SERIES PICTURE WINDOW (FIXED)

The Quaker Emerge E600 Series Picture window is ideal for a variety of applications including - Energy Efficient, Institutions, Education, Apartments and Assisted Living.

FEATURES

- ◇ Commercial Framing System
 - 3 1/4" main frame
 - Sealable corner keys
 - Screw connections
 - 0.094" wall thickness of interior and exterior walls, 0.070" wall thickness elsewhere
- ◇ Enhanced Design
 - Azon pour and debridge thermal break is 1/2" wide in all main frame and vent rail extrusions
 - Clean squared edges
 - 2" narrow sitelines
- ◇ Glazing
 - 1" insulated glass

OPTIONS

- ◇ Available Configurations
 - Wire frame capabilities
- ◇ Muntin Choices
 - Internal or simulated divided lites available
- ◇ Nailing Fin
- ◇ Glazing
 - Capillary tubes
 - Argon gas
 - Wide variety of glazing, tinting and thickness options
- ◇ Panning & Trim Choices
 - Wide variety of panning, receptor and trim available
- ◇ Mulling
 - Wide variety of structural mulls

BENEFITS

- ◇ The capacity to match exterior colors for unique project facades
- ◇ The ability to facilitate large sizes for taller and wider window openings

PERFORMANCE

- ◇ Structural & Thermal (test reports or thermal simulations available upon request)

Model	Picture Window (Fixed)	
AAMA/WDMA/CSA 101/IS.2/A440-08 Rating	AW-PG50	AW-PG80
Structural Load P.S.F.	75.19	120.30
Air at 50 MPH (cfm/ft ²)	0.01	-
Water (No Penetration) P.S.F.	12.11	-
U-Value (with Low-E and Argon)	0.25-0.31	
SHGC (with Low-E and Argon)	0.15-0.36	
Window Test Size	60" x 99"	60" x 60"



Our products are tested to the standards of and certified by the American Architectural Manufacturer's Association, the National Fenestration Rating Council and the Window & Door Manufacturers Association.

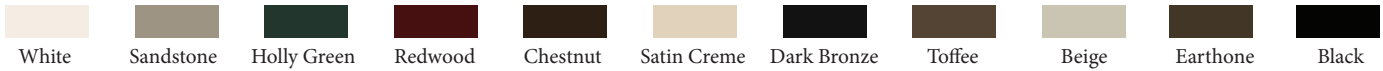


QUAKER
COMMERCIAL WINDOWS AND DOORS

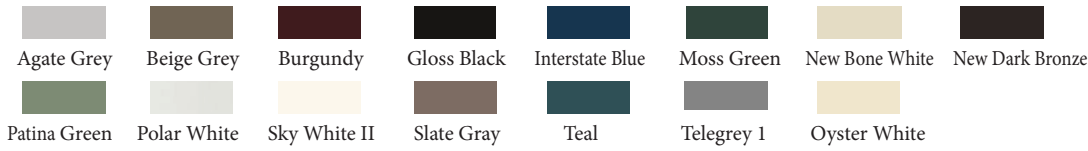
ARCHITECTURAL PAINT COATINGS AND FINISHES

◇ Baked on powder coat finish meets ANSA/AAMA 2604 specs and is available in unlimited colors

- 11 Popular Colors



- 15 Impressive Colors



- 7 Resemble Colors (painted finish resembling anodized)



- Unlimited Custom Colors

◇ ANSA/AAMA 2605 powder coat finishes

◇ AAMA 611-98 Class I clear and tinted anodized finishes

* Printed colors shown here may not accurately depict actual painted colors. Color samples are available upon request.

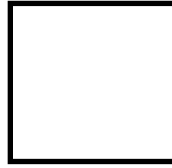
Our products are tested to the standards of and certified by the American Architectural Manufacturer's Association, the National Fenestration Rating Council and the Window & Door Manufacturers Association.



QUAKER
COMMERCIAL WINDOWS AND DOORS



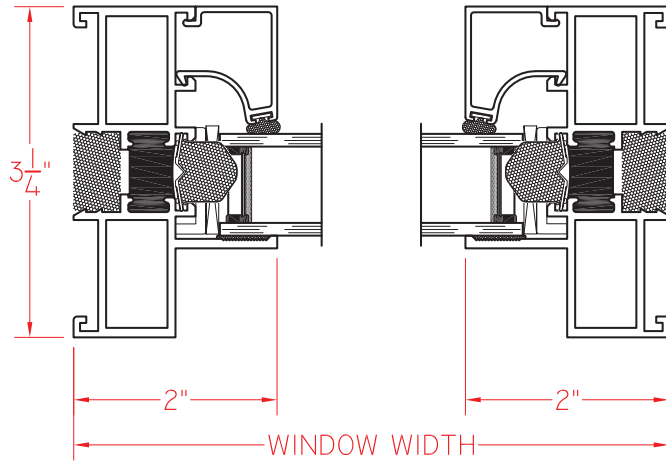
QUAKER
COMMERCIAL WINDOWS AND DOORS



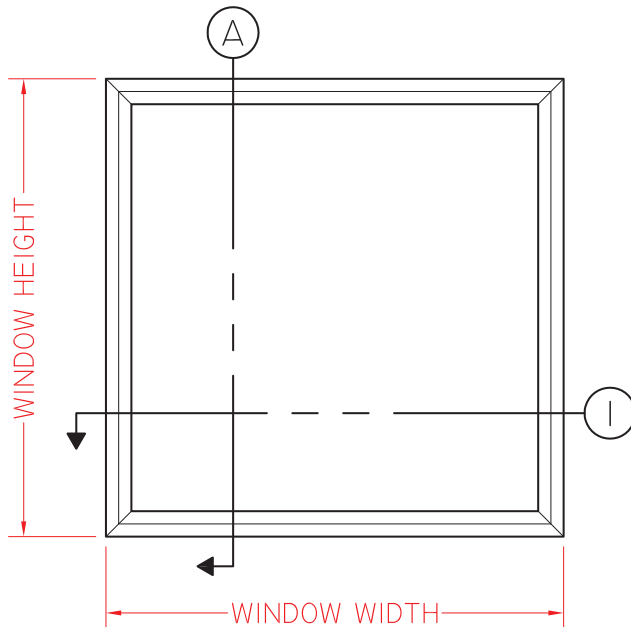
**E600 Series
AW-PG50/AW-PG80
3 1/4" Frame Depth
Picture Window (Fixed)**

E600 PICTURE WINDOW

This document contains confidential and proprietary information intended for the private use of Quaker.
© 2016 Quaker Window Products Co., INC. All rights reserved.
Quaker reserves the right to change any/all designs without notice. Due to periodic re-certification requirements, result shown may vary.

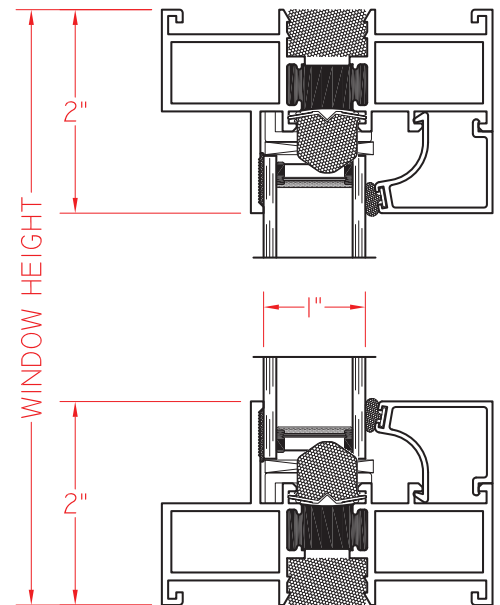


① HORIZONTAL CROSS SECTION



ELEVATION SCALE 3/4" = 1'-0"

Ⓐ VERTICAL CROSS SECTION



SCALE 1:2

Our products are tested to the standards of and certified by the American Architectural Manufacturer's Association, the National Fenestration Rating Council and the Window & Door Manufacturers Association.



QUAKER
COMMERCIAL WINDOWS AND DOORS



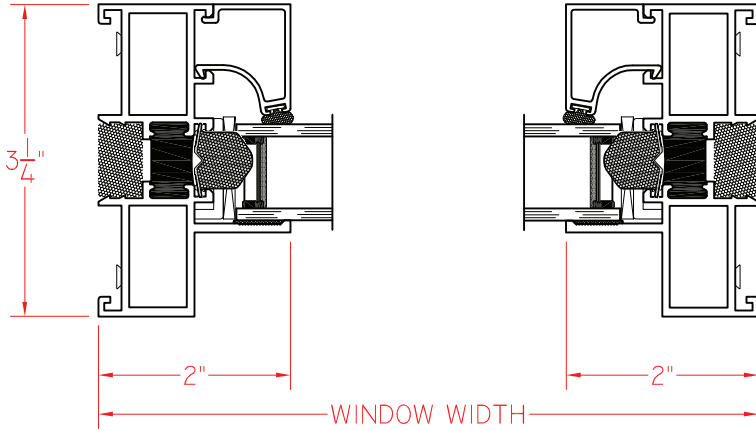
QUAKER
COMMERCIAL WINDOWS AND DOORS



**E600 Series
AW-PG50/AW-PG80
3 1/4" Frame Depth
Picture Window (Fixed)**

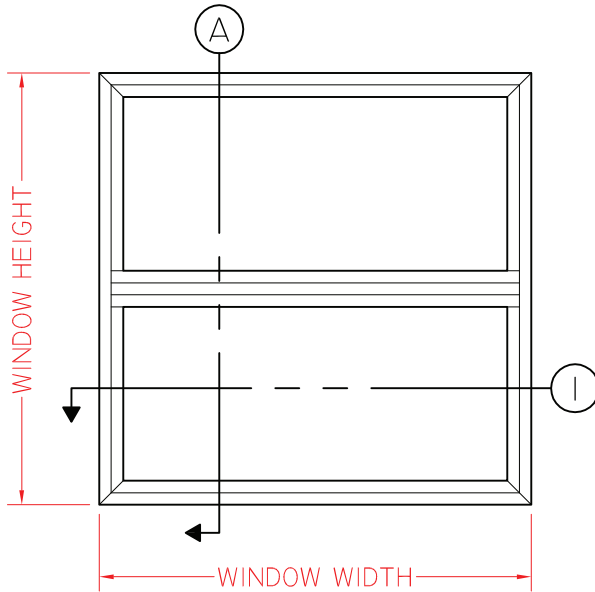
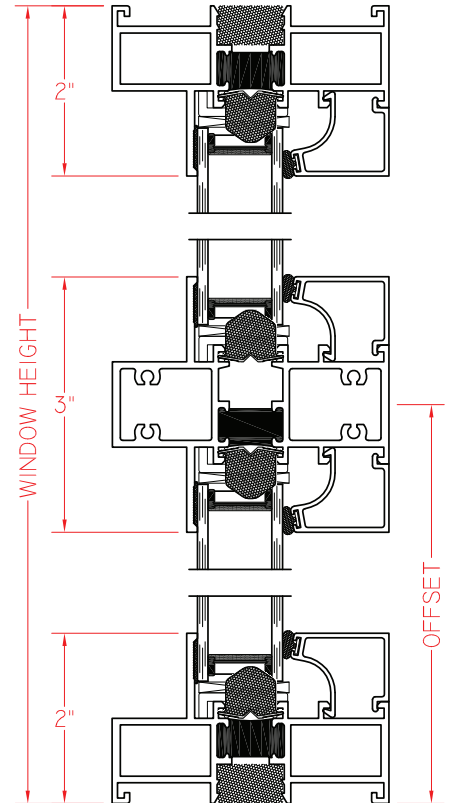
E600 PICTURE WINDOW/PICTURE WINDOW

This document contains confidential and proprietary information intended for the private use of Quaker.
© 2016 Quaker Window Products Co., INC. All rights reserved.
Quaker reserves the right to change any/all designs without notice. Due to periodic re-certification requirements, result shown may vary.



① HORIZONTAL CROSS SECTION

Ⓐ VERTICAL CROSS SECTION



ELEVATION SCALE 3/4" = 1'-0"

SCALE 1:2

Our products are tested to the standards of and certified by the American Architectural Manufacturer's Association, the National Fenestration Rating Council and the Window & Door Manufacturers Association.



QUAKER
COMMERCIAL WINDOWS AND DOORS



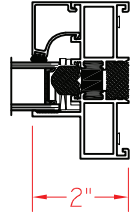
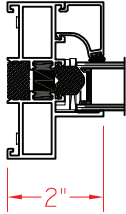
QUAKER
COMMERCIAL WINDOWS AND DOORS



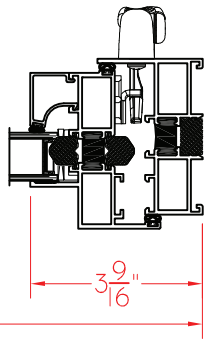
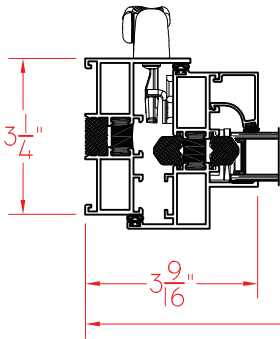
**E600 Series
AW-PG50/AW-PG80
3 1/4" Frame Depth
Picture Window (Fixed)**

E600 PICTURE WINDOW/AWNING

This document contains confidential and proprietary information intended for the private use of Quaker.
© 2016 Quaker Window Products Co., INC. All rights reserved.
Quaker reserves the right to change any/all designs without notice. Due to periodic re-certification requirements, result shown may vary.



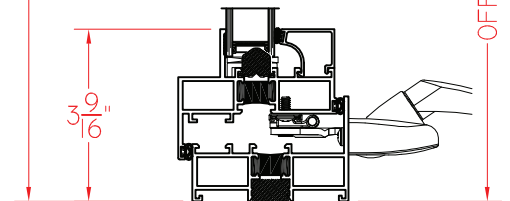
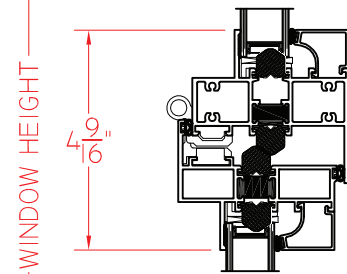
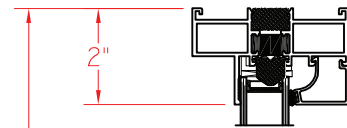
① HORIZONTAL CROSS SECTION



② HORIZONTAL CROSS SECTION

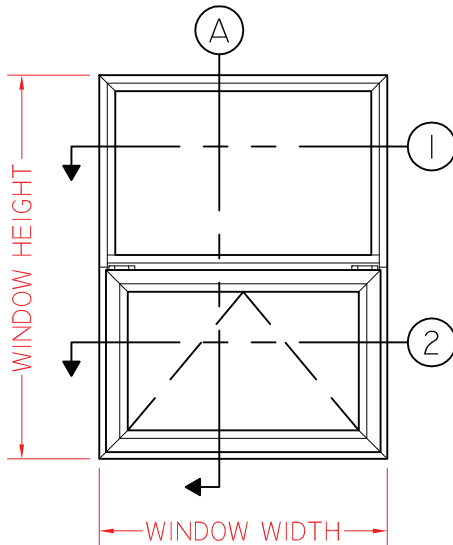
WINDOW WIDTH

Ⓐ VERTICAL CROSS SECTION



WINDOW HEIGHT

OFFSET



ELEVATION SCALE 1/2" = 1'-0"

SCALE 1:4

Our products are tested to the standards of and certified by the American Architectural Manufacturer's Association, the National Fenestration Rating Council and the Window & Door Manufacturers Association.



QUAKER
COMMERCIAL WINDOWS AND DOORS



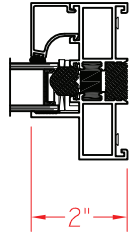
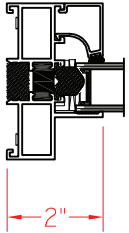
QUAKER
COMMERCIAL WINDOWS AND DOORS



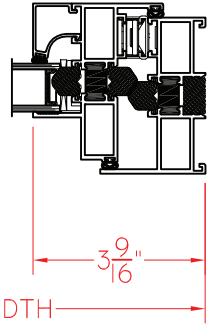
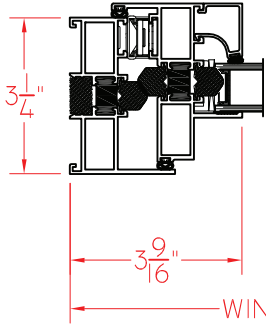
**E600 Series
AW-PG50/AW-PG80
3 1/4" Frame Depth
Picture Window (Fixed)**

E600 PICTURE WINDOW/HOPPER

This document contains confidential and proprietary information intended for the private use of Quaker.
© 2016 Quaker Window Products Co., INC. All rights reserved.
Quaker reserves the right to change any/all designs without notice. Due to periodic re-certification requirements, result shown may vary.



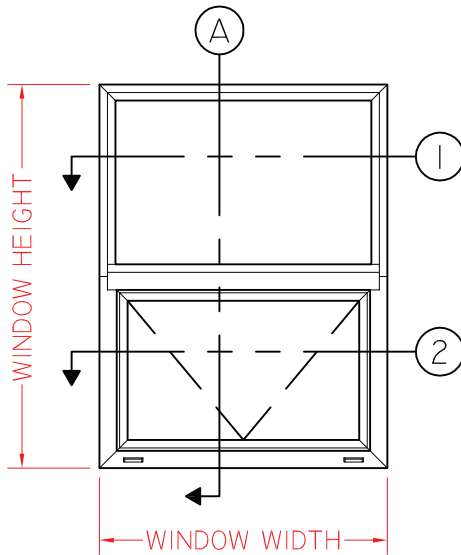
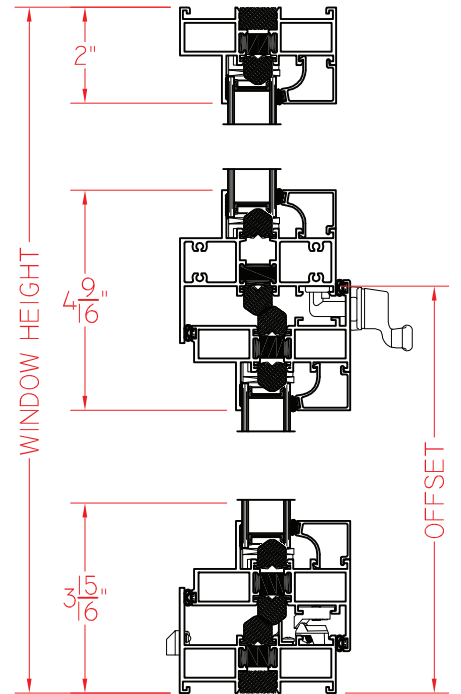
① HORIZONTAL
CROSS SECTION



② HORIZONTAL
CROSS SECTION

WINDOW WIDTH

Ⓐ VERTICAL
CROSS SECTION



ELEVATION SCALE 1/2" = 1'-0"

SCALE 1:4

Our products are tested to the standards of and certified by the American Architectural Manufacturer's Association, the National Fenestration Rating Council and the Window & Door Manufacturers Association.



QUAKER
COMMERCIAL WINDOWS AND DOORS